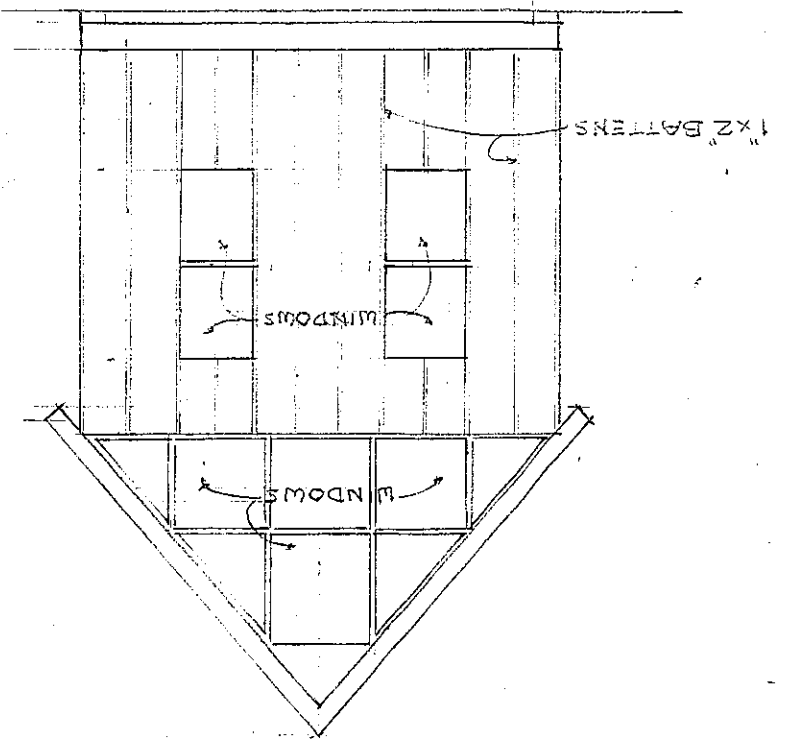
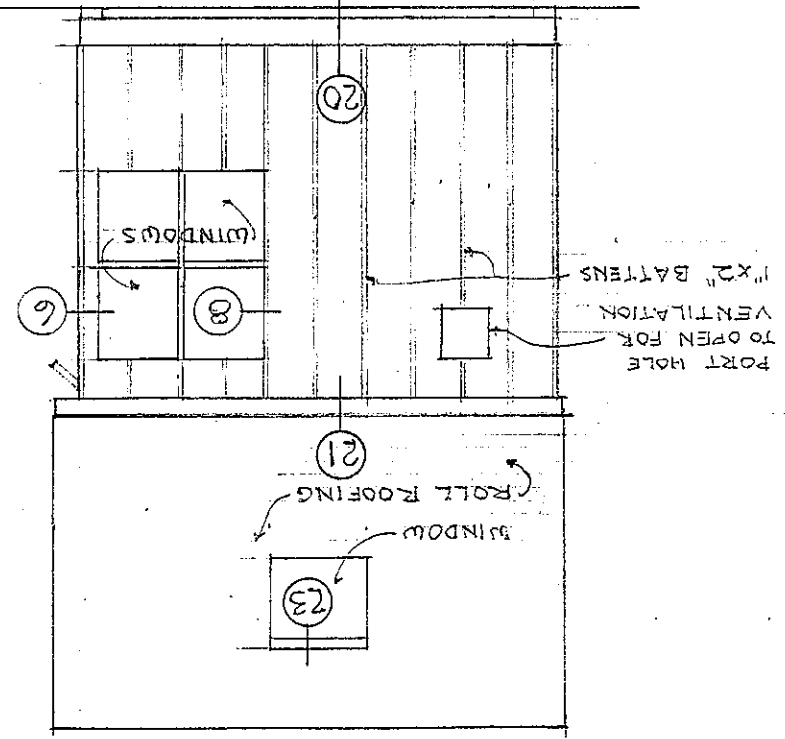


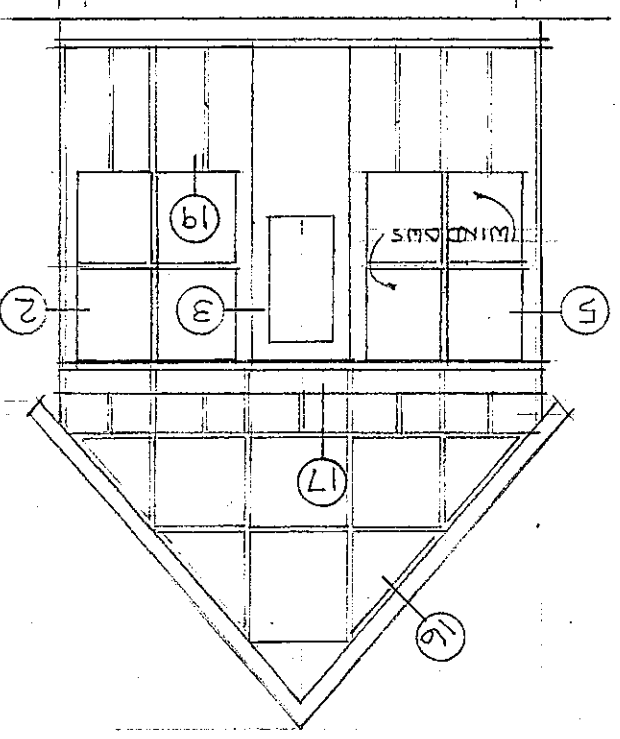
BACK ELEV.



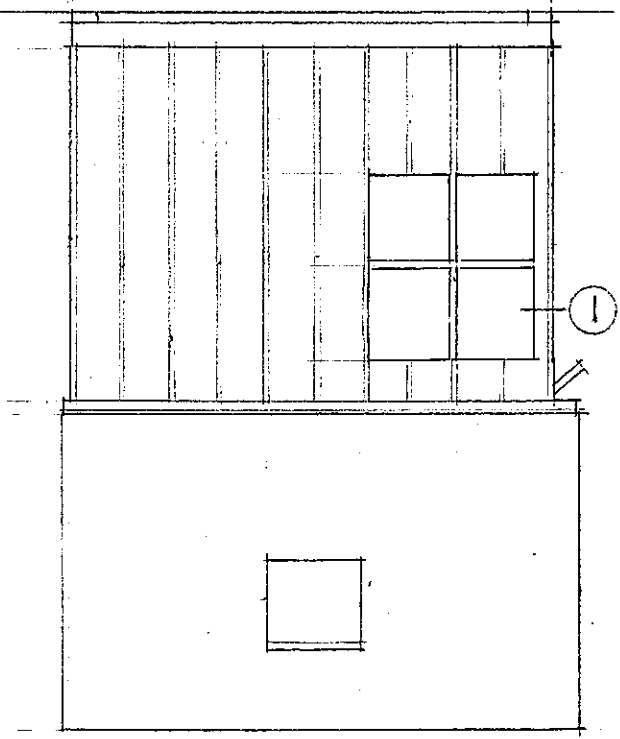
LEFT SIDE



FRONT ELEV.

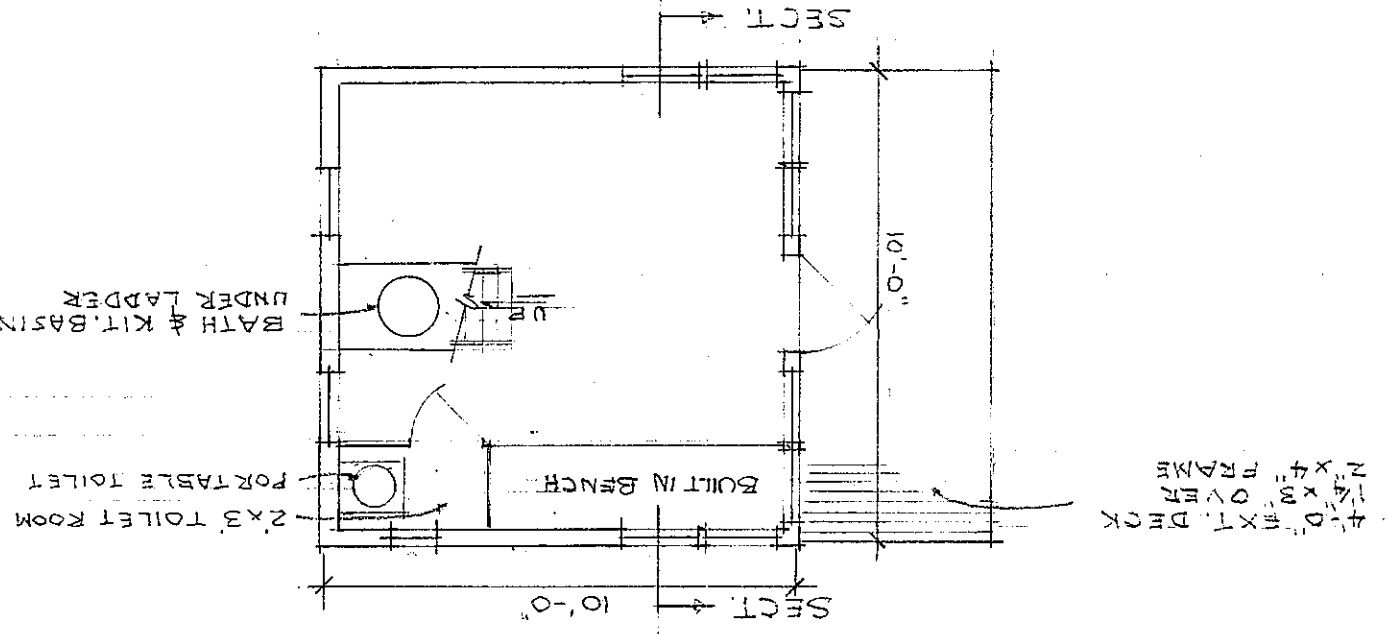


RIGHT SIDE

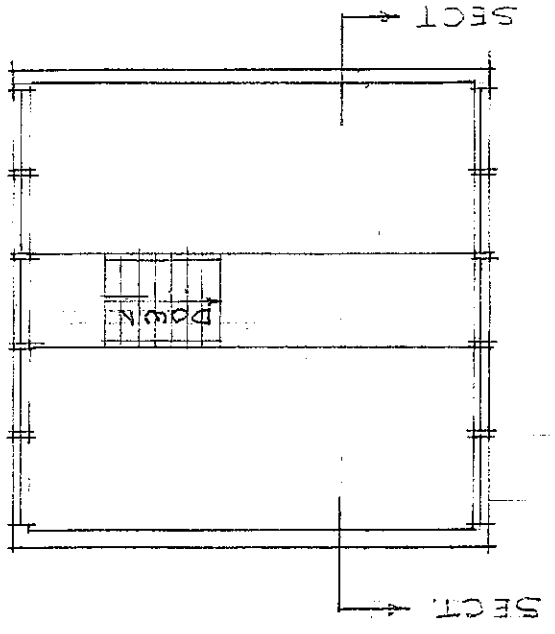


SCALE 1/4" = 1'-0"

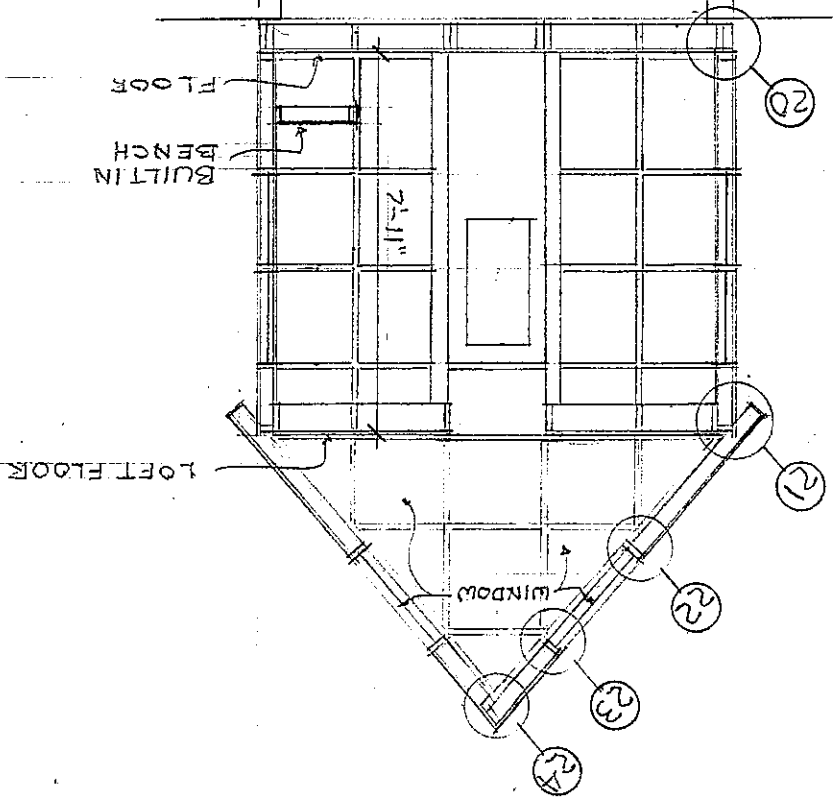
FLOOR PLAN

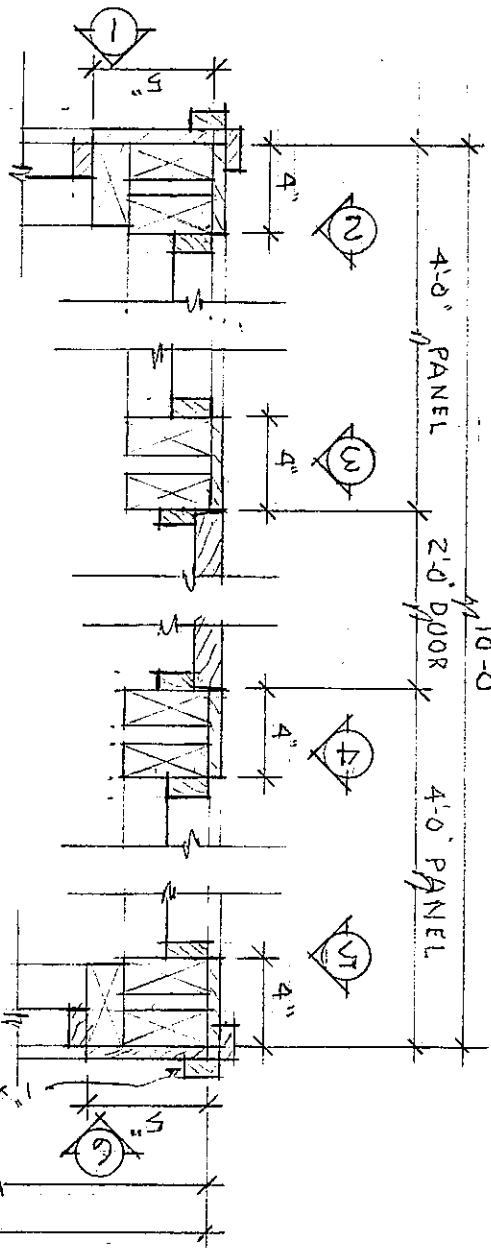


LOFT PLAN

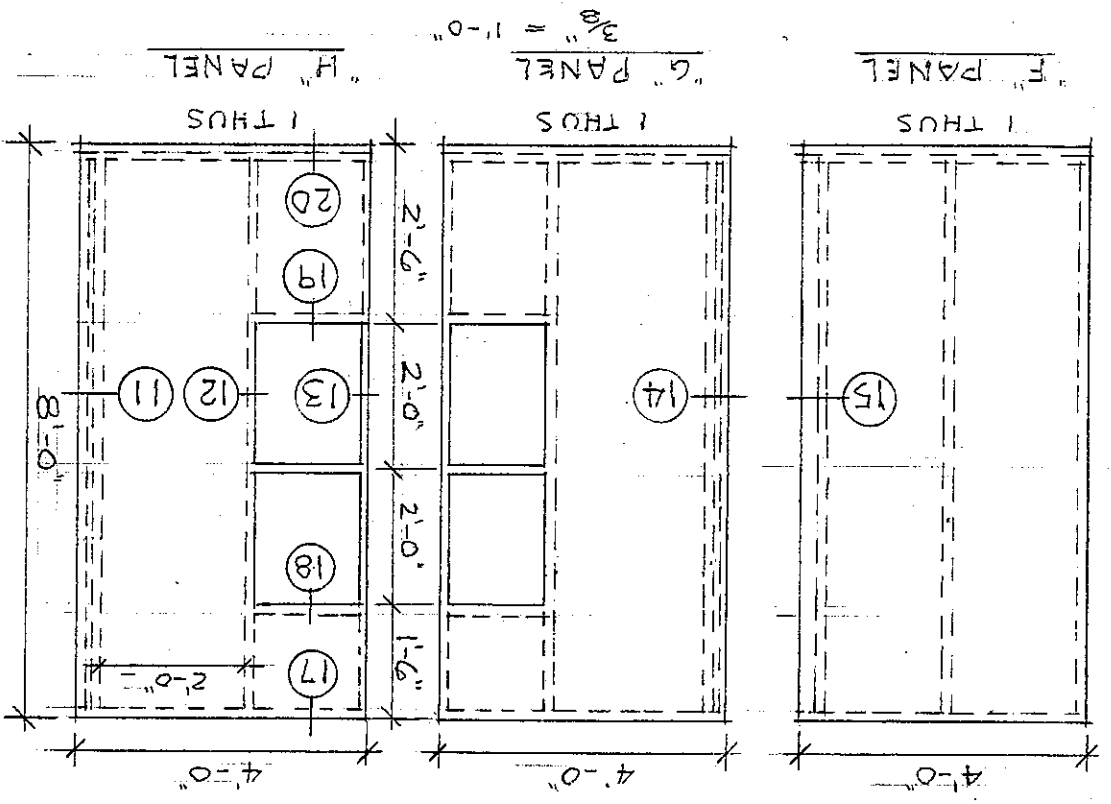
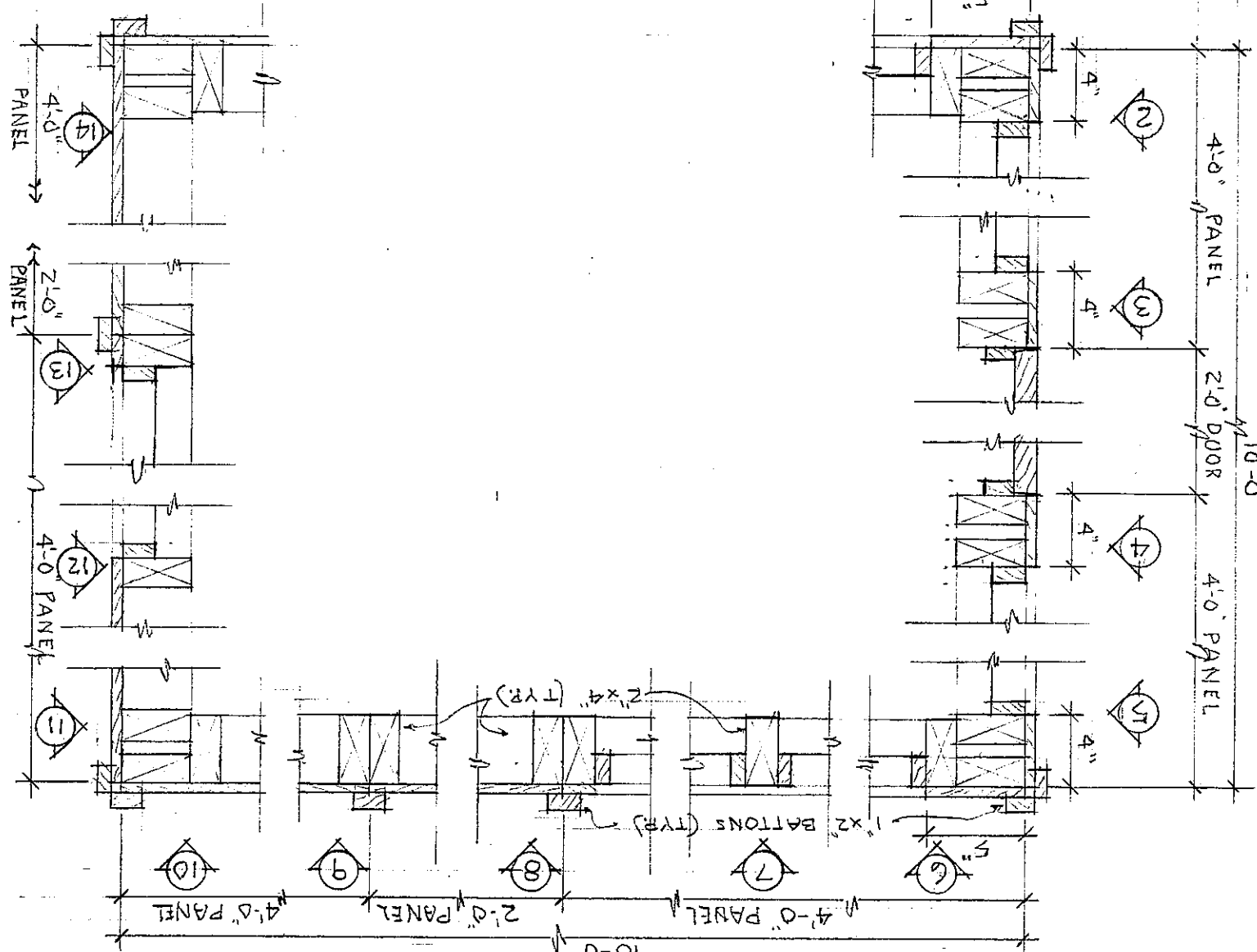


SECTION

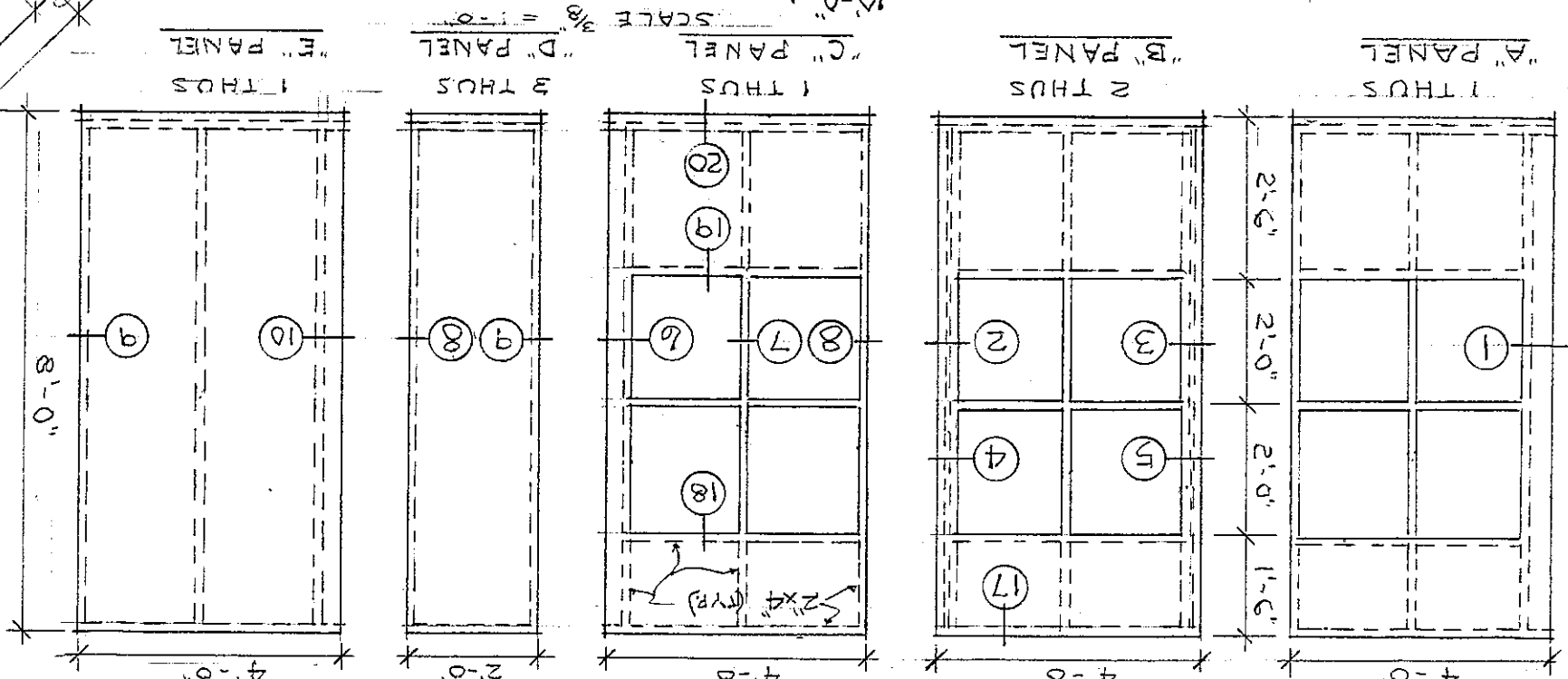
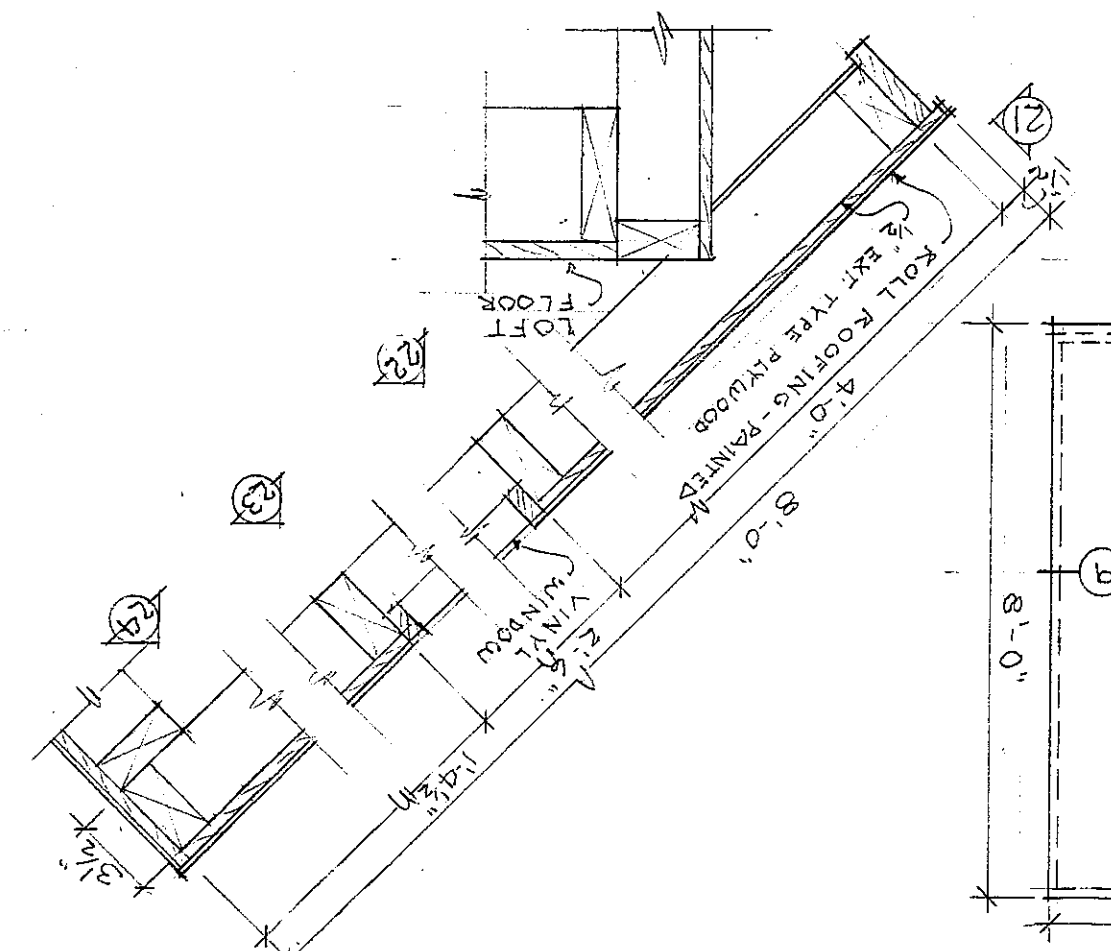




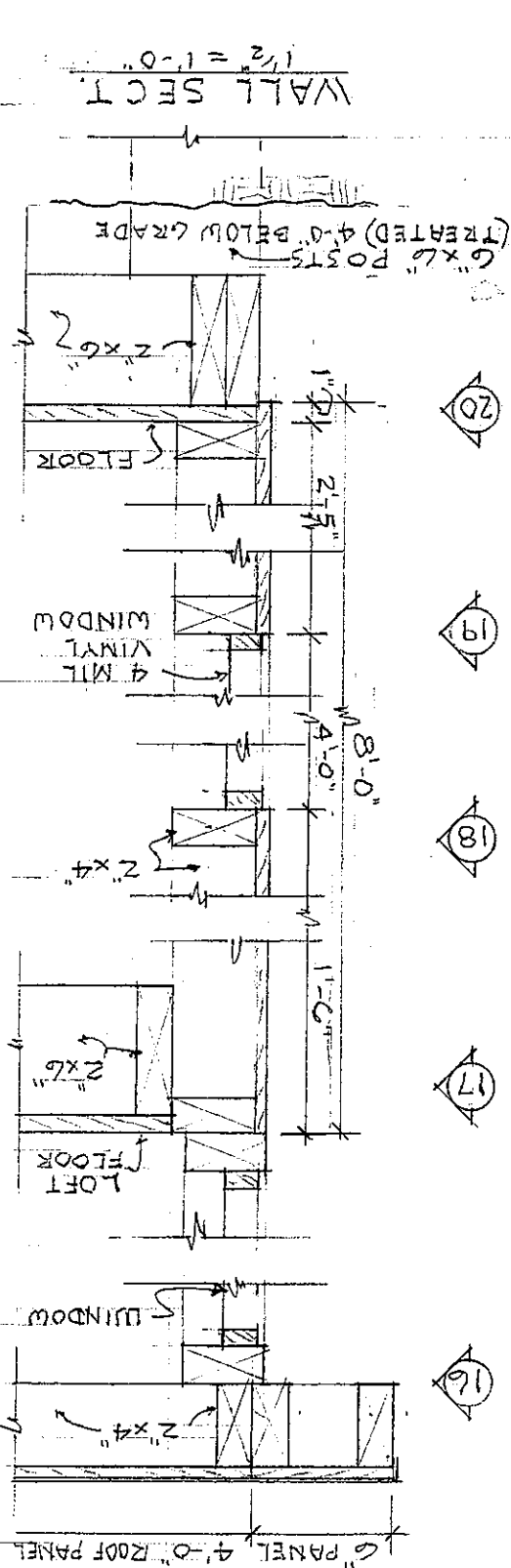
WALL PLAN DETAILS  
1/2" = 1'-0"



ROOF DETAIL 1/2" = 1'-0"

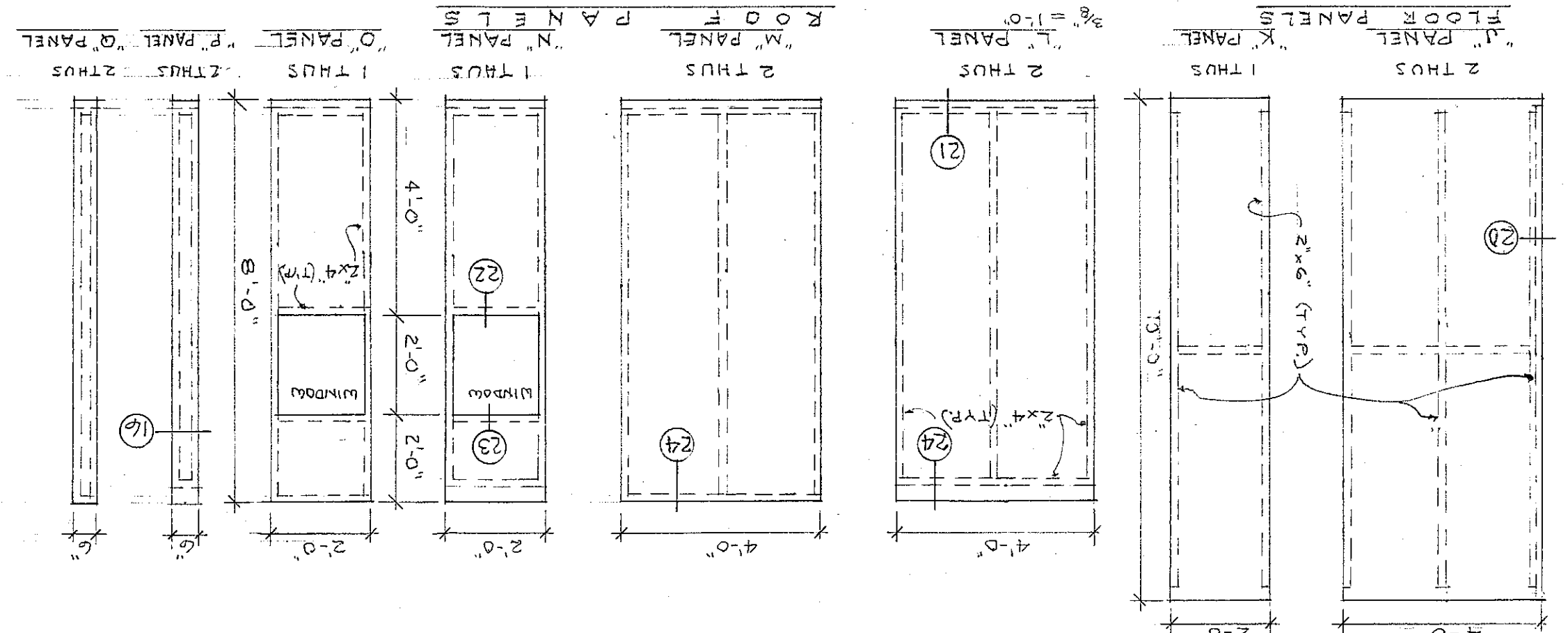
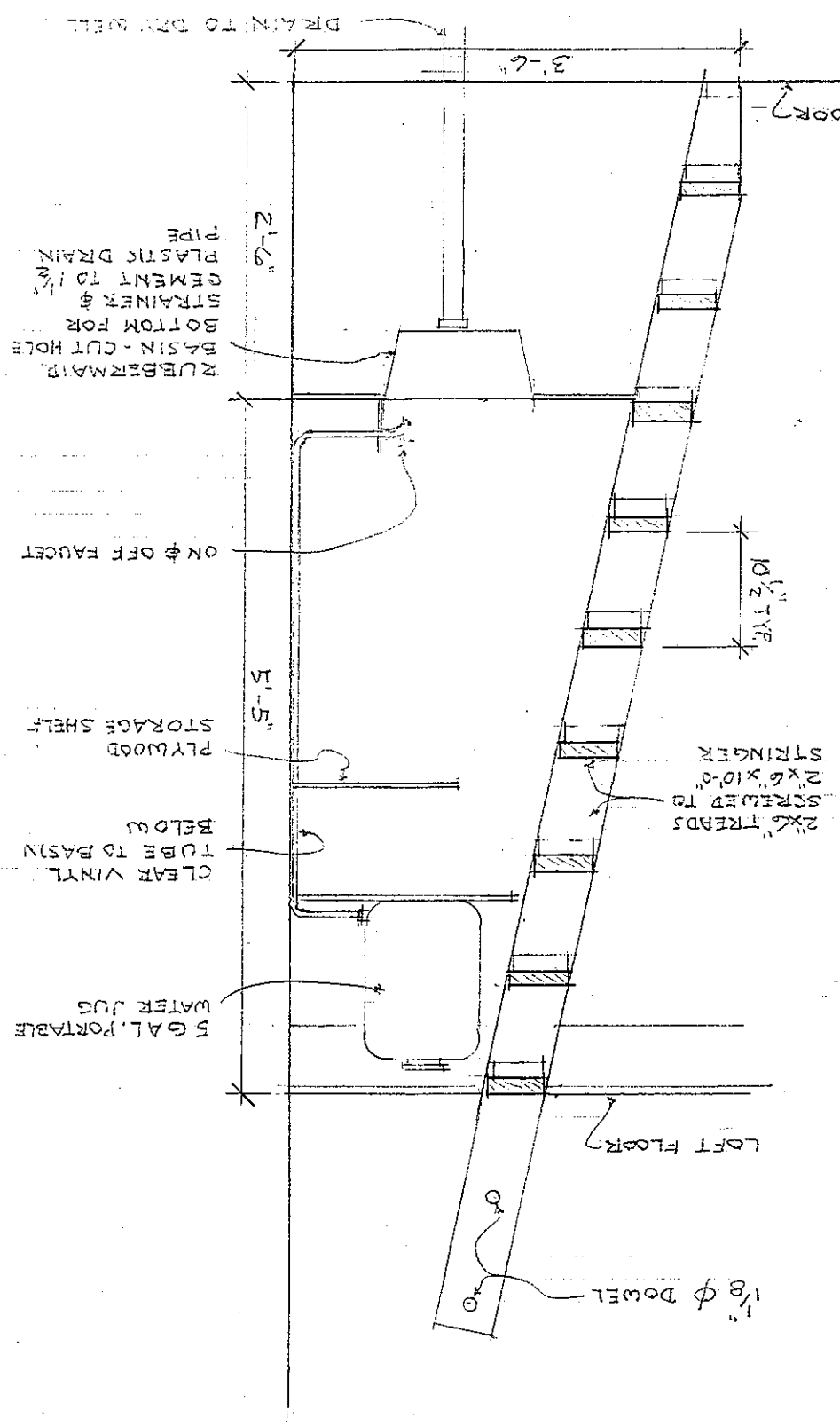


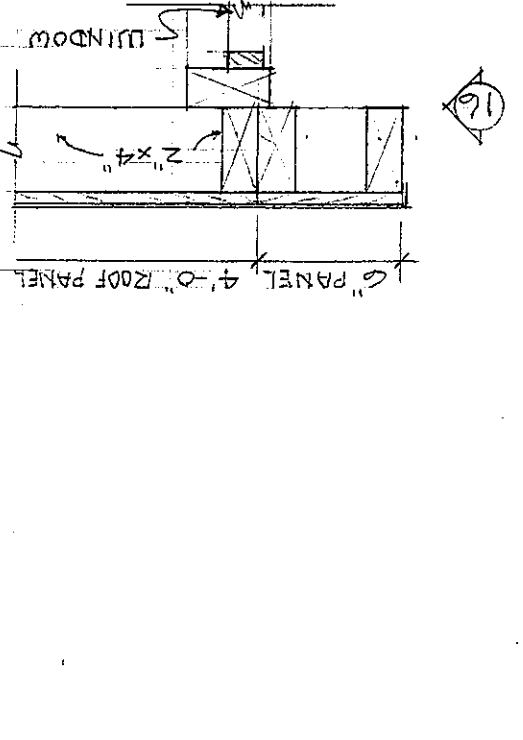
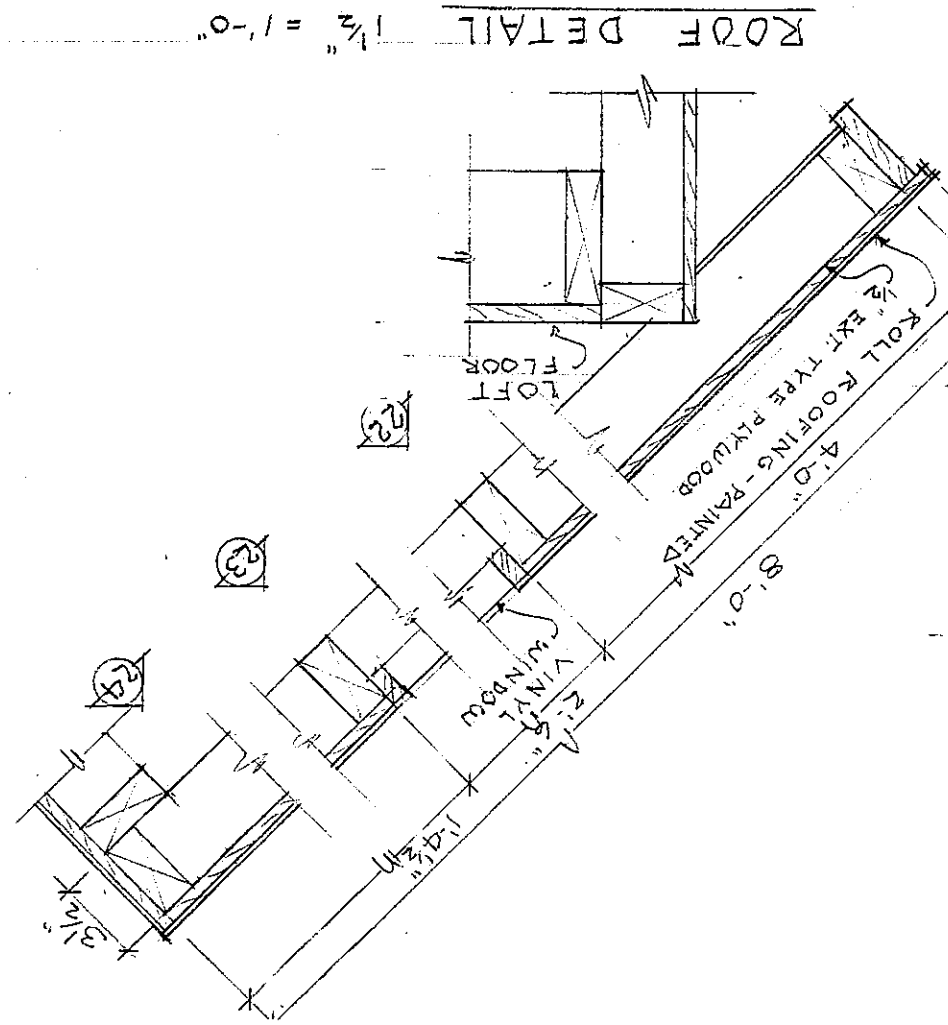
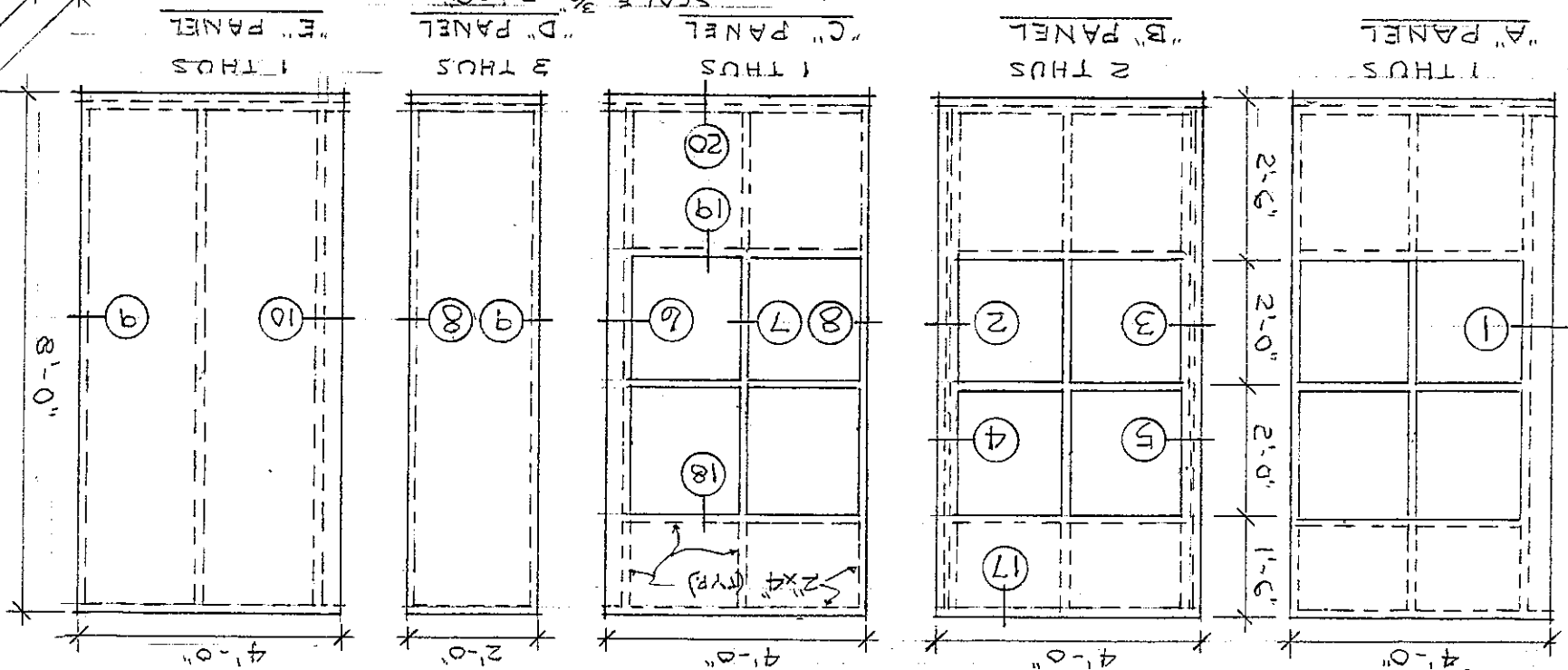
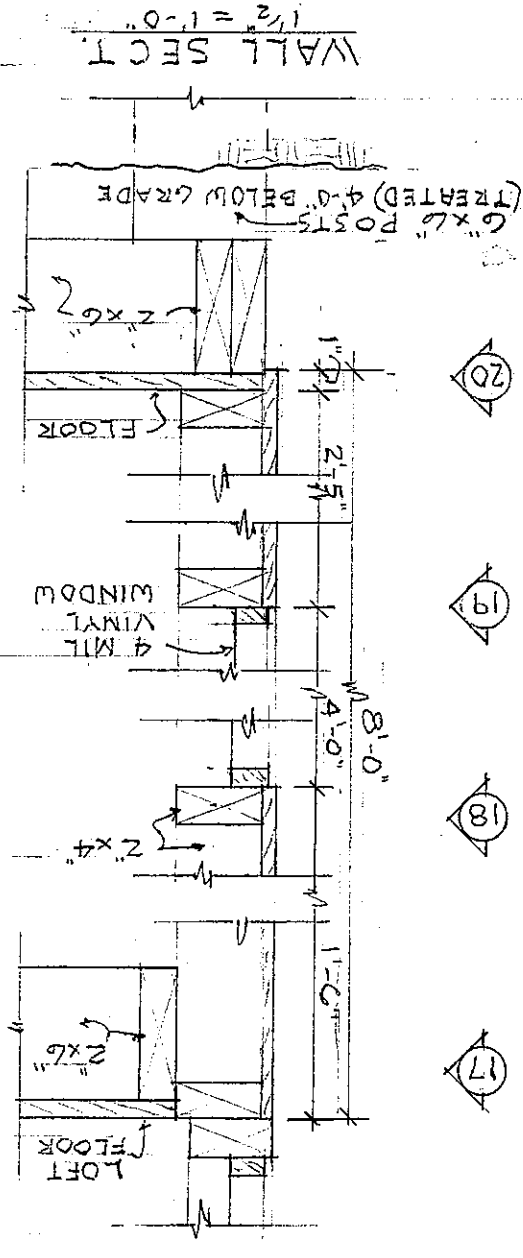
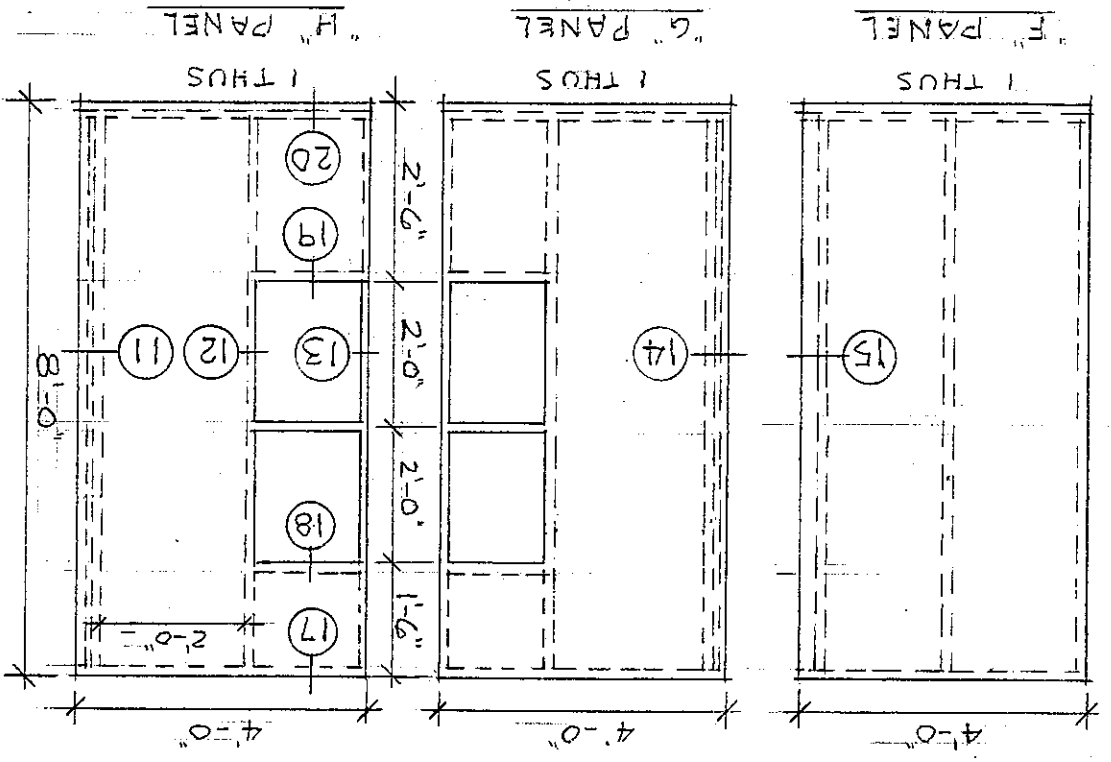
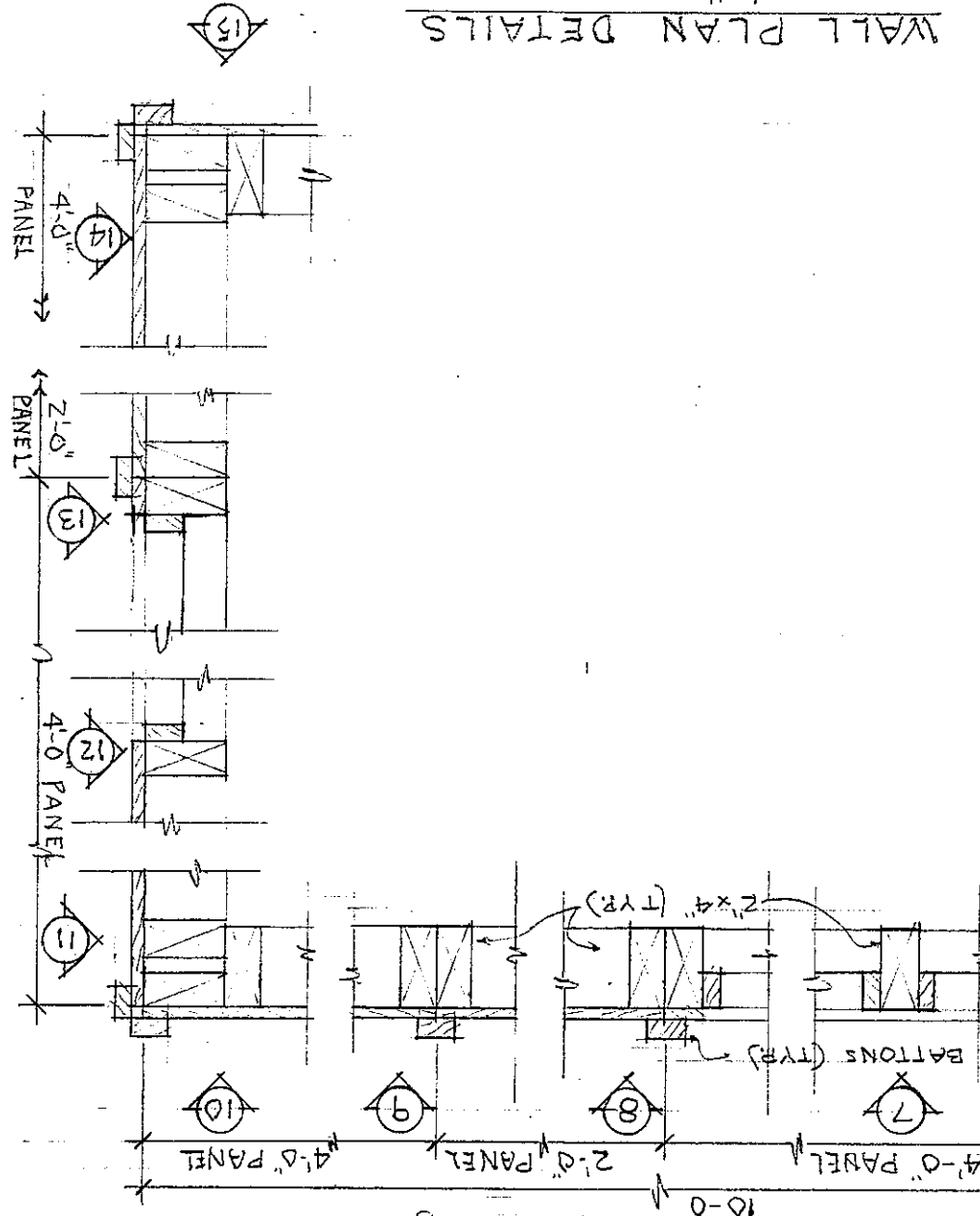
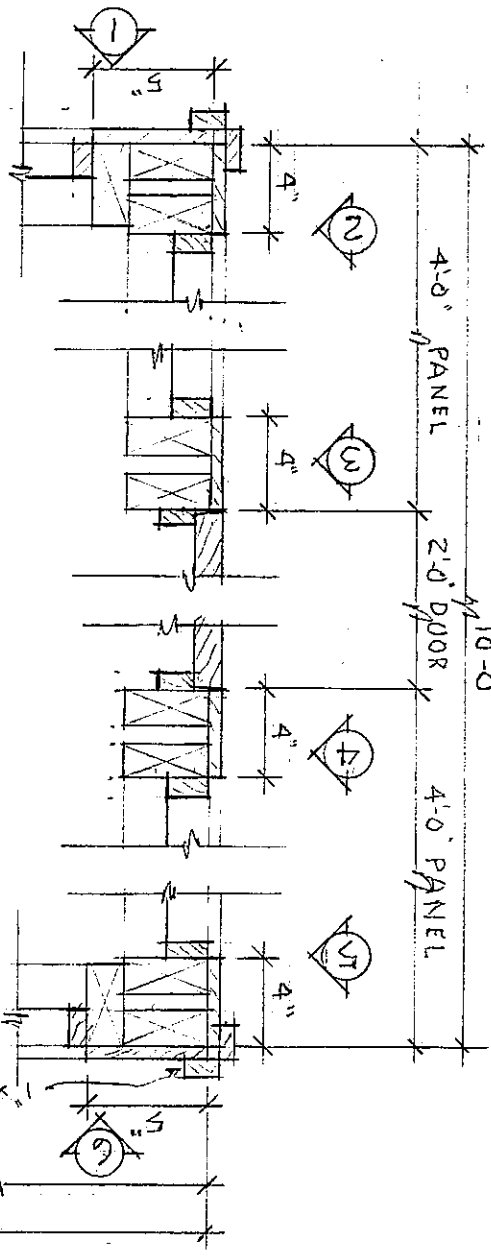
SCALE 3/8" = 1'-0"



WALL SECT.  
1/2" = 1'-0"

LADDER SECTION  $\frac{3}{4} = 1'-0"$





WALL PLAN DETAILS  
1/2" = 1'-0"

"G" PANEL  
3/8" = 1'-0"

"F" PANEL  
1 THUS

"H" PANEL  
1 THUS

WALL SECT.  
1/2" = 1'-0"

"C" PANEL  
1 THUS

"D" PANEL  
3 THUS

"E" PANEL  
1 THUS

"B" PANEL  
2 THUS

"A" PANEL  
1 THUS

ROOF DETAIL  
1/2" = 1'-0"